

Better, Naturally Aspirated, Multi-Plate Solar Radiation Shield

Overview

The **Multi-Plate Solar Radiation Shield** is designed to safeguard temperature, relative humidity, and barometric pressure sensors from error-inducing solar radiation and precipitation. It utilizes a specialized combination of plate geometry, high-reflectivity materials, and natural ventilation to ensure optimal shielding performance.

The shield effectively reflects sunlight from all angles and blocks both direct solar radiation and ground-reflected rays from reaching the sensors. It also protects instruments from environmental factors such as strong winds, rain, and snow.

It's open-vent structure allows for free airflow, creating a naturally ventilated environment around the sensors, which helps maintain high measurement accuracy.

Constructed from materials with high solar reflectivity, low thermal conductivity, and excellent UV resistance, this shield is built to perform reliably even under harsh and extreme weather conditions.

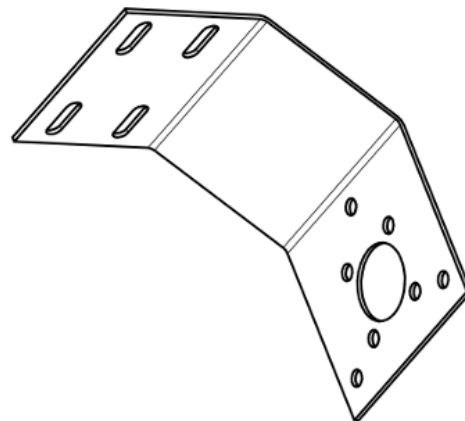
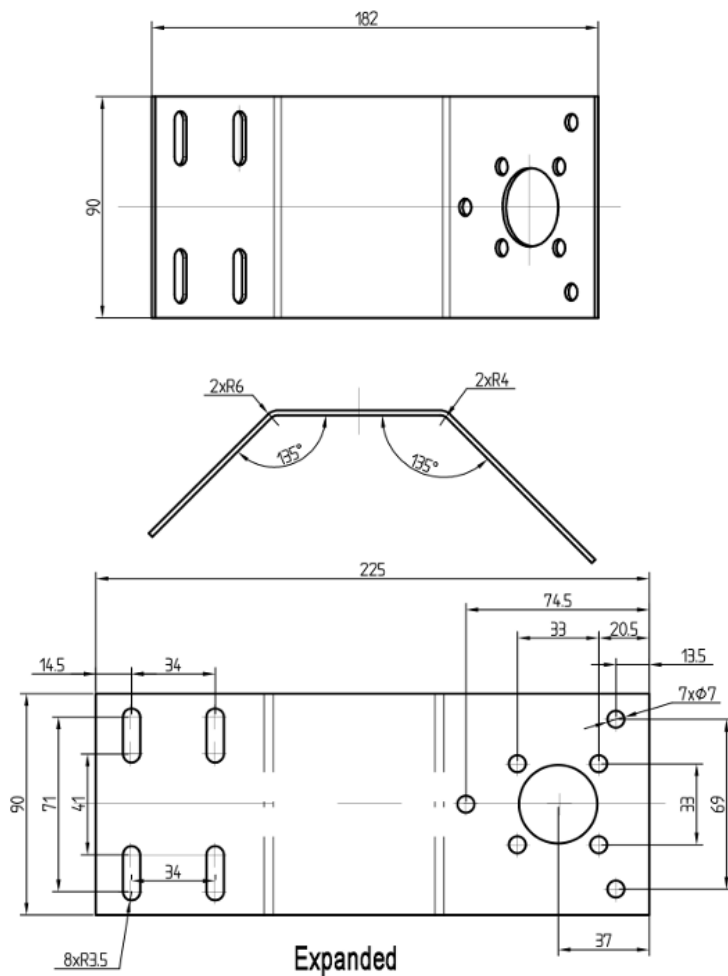
Installation Tips

- ✓ Good Air Circulation Around Shield
- ✓ Away from Large Masses (Asphalt, Masts, Solar Panels) Especially Metal Items
- ✓ Away from Exhaust Vents, Electrical Machinery and Motors
- ✓ Away from Standing Water, Water Fountains and Sprinklers

Specifications

Item	Specifications
Number of Plates	4-20 Plates
Color	White
Material	Anti-Radiation ABS Engineering Plastics & Stainless-Steel Screw
Operating Temperature	-40°C ~ 75°C
Dimension	Inner Diameter: 62mm Outer Diameter: 140mm/180mm Height: 180mm (11 plates), 220mm (14 plates), 280mm (19 plates)
Optional Accessories	Metal Bracket (304SS) Embrace Hoop Screw (Inner Diameter: 60mm, 304SS)

Bracket Dimension



All 304 stainless steel material

Dimension

Plates	Inner space(mm)	D1(mm)	H1(mm)	H2(mm)
4	ø62*45	140	51	approx.55
5	ø62*57	140	63	approx.55
6	ø62*70	140	76	approx.55
7	ø62*82	140	89	approx.55
8	ø62*95	140	101	approx.55
9	ø62*107	140	114	approx.55
10	ø62*120	140	126	approx.55
11	ø62*120	140	139	approx.55
12	ø62*145	140	151	approx.55
13	ø62*157	140	164	approx.55
14	ø62*170	140	176	approx.55
15	ø62*182	140	189	approx.55
16	ø62*195	140	201	approx.55
17	ø62*207	140	214	approx.55
18	ø62*220	140	226	approx.55
19	ø62*232	140	239	approx.55
20	ø62*245	140	251	approx.55



Adapter Waterproof Glands

PG Glands	
Model	Cable/sensor diameter(mm)
PG7	3 ~ 6.5
PG9	4 ~ 8
PG11	5 ~ 10
PG13.5	6 ~ 12
PG16	10 ~ 13
PG19	12 ~ 15
PG21	13 ~ 18
PG25	16 ~ 21
PG29	18 ~ 25
PG36	22 ~ 32



NOTE: The default matching PG7, if you need other models, please confirm with us before order.

Waterproof Glands Specifications

Item	D(mm) ±0.1	B(mm) ±0.1	D2(mm) ±0.1	L(mm) ±0.1	L1(mm) ±0.1	L2(mm) ±0.1
PG 7	12.4	17.6	19.5	30	8	4.6
PG 9	15.2	21.9	23.7	32.6	8	4.6
PG 11	18.2	23.73	26.1	34.4	8	5
PG 13.5	20	26.8	29.4	36.4	9	5
PG 16	22.2	28.8	31.9	37.5	10	5.3
PG 19	23.9	28.9	31.9	40	10	5.3
PG 21	28.2	35.7	38.9	44.6	10	5.6
PG 29	36.5	46	50.5	50.70	13	7
PG 36	46.7	58.7	64	58.4	13.7	7.4

PG Cable Glands



Parameter Selection Table

Remark	Series	Type	Outer Diameter	Plates	Bracket	Base Shape	
BS							
	95						
		01					
			A				140mm
			B				180mm
				P*			Number of Plates
					A		With Mounting Bracket
					B		Without Mounting Bracket
						G	Glands (Default)
						C	Movable Connector

For comprehensive details, visit: www.buraq.com/BS95