



Measures Wind Direction, Detects Wind Origin Angle, Tracks Wind Source

Overview

The **BS110-02** is a high-performance **Wind Direction Sensor** engineered for accurate and real-time monitoring of wind direction in diverse environments. Utilizing high-precision magnetic-sensitive chips embedded within a durable housing, it ensures reliable operation under varying weather conditions. The wind vane, made from lightweight, low-inertia metal, is designed to respond swiftly and accurately

to even minor wind direction changes.

Whether deployed in stationary stations or mobile platforms, the **BS110-02** provides consistent, precise wind direction data, making it a reliable choice for both commercial and industrial meteorological applications.

Features

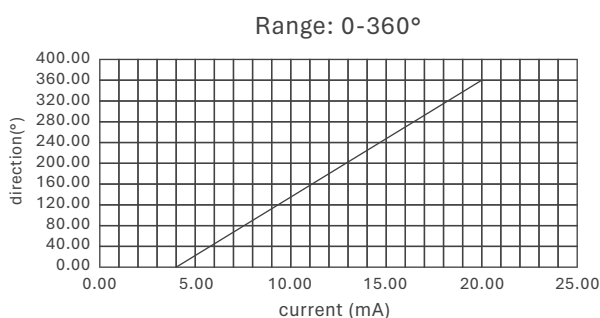
- ✓ Low Starting Threshold
- ✓ Great Dynamic Characteristics
- ✓ Overall Carbon Fiber Material
- ✓ Strong Corrosion Resistant ability
- ✓ Light Structure
- ✓ Various Output Signals Optional
- ✓ Easy Installation

Applications

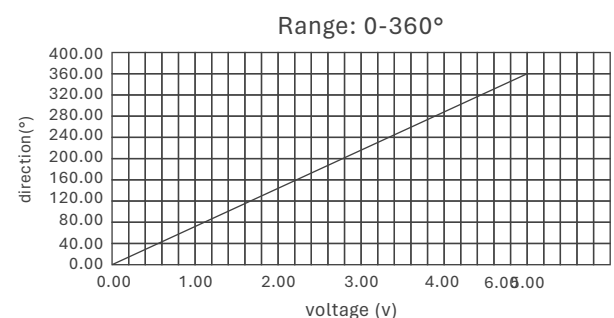
- ✓ Weather Monitoring Stations
- ✓ Ports
- ✓ Solar and Wind Power Generation
- ✓ Mobile Weather Monitoring Vehicles
- ✓ Remote Airports and Helipads

Output Characteristics

• Current (4-20mA)



• Voltage (0-5V)



- **RS485**

If the transmission distance is over 100m, please add a 120Ω terminal matching resistances on the front end and back end of bus interface respectively. See the modbus communication protocol specification.

Technical Specifications

Output	4 ~ 20mA	0 ~ 5V	RS485
Supply Voltage	5V, 12V ~ 24V	5V, 12V, 24V	5V, 12V ~ 24V
Load Capacity	<500Ω (typ 250Ω)	>1kΩ	
Range	0 ~ 360°		
Accuracy	±3°		
Resolution	1°		
Starting Threshold	<0.5m/s		
Limit Wind Speed	50m/s		
Ingress Protection	IP65		
Operating Temperature	-40°C ~ 50°C		
Cable Grade	Nominal Voltage: 300V, Temperature Grade: 80°C		
Weight (Unpacked)	195g		
Dimension	Turning Radius: 147mm, Height: 199mm		
Main Material	Carbon Fiber		
Storage Condition	10°C ~ 50°C @ 20% ~ 90%RH		

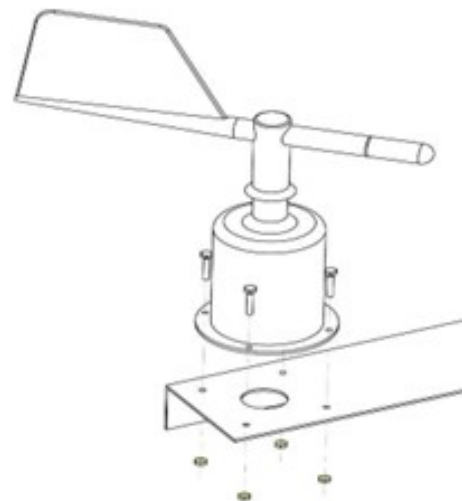
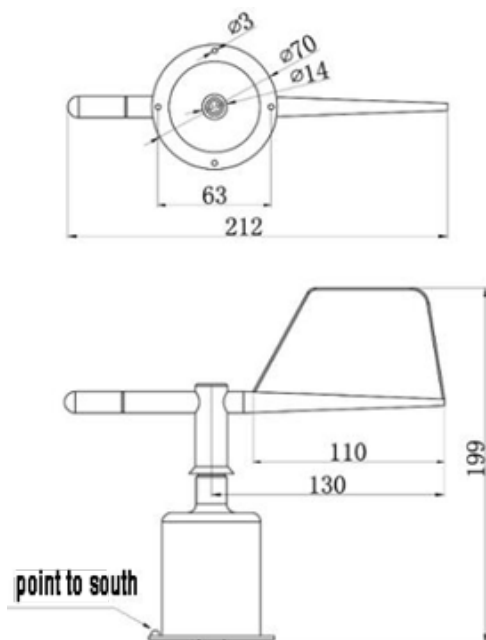
Dimension and Mounting

Flange mounted, fix the four screws on the bracket and keep the product horizontal.

There is a arrow marker on the label. Please make sure the marker is pointed to the south during installation (you can use a compass for positioning)

Connector Dimension:

ø15mm (Recommended Reserving ø 25mm for Wiring)




Parameter Selection Table

Remark	Series	Type	Supply	Output	Cable Length	
BS						
	110					
		02				
			A			5V
			B			
			C			12 ~ 24V
			X			Other
				A		4 ~ 20mA
				B		0 ~ 5V
				C		RS485
				X		Other
					2500	Units: mm (typ)
					3000	Units: mm
					...	Units: mm

Example: BS110-02 CA2500

Supply: 12-24V, Output: 4-20mA, Cable Length: 2.5m.

For comprehensive details, visit: www.buraq.com/BS110-02 



BURAQ INTEGRATED SOLUTIONS
When Precision Matters...



HQ: Buraq Center, 11-D, 6th Road, Satellite Town, Rawalpindi, Pakistan. **STZ:** 1st Floor, Alpha-18, NASTP, Old Airport Road, Rawalpindi, Pakistan.



info@buraq.com